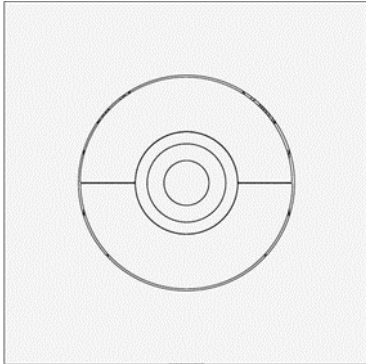




GI1DC User Guide



- Single gang dimmer
- Replaces a standard light switch or dimmer
- Security mode
- Night light mode*
- Scene setting and soft on/off*

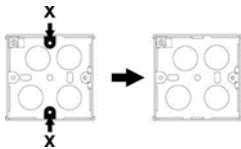
*only available using remote handset



Installation

This product should be installed in accordance with the current IEE wiring regulations.

If in doubt consult a qualified electrician.

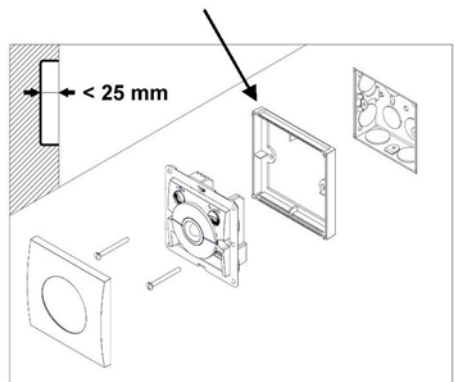
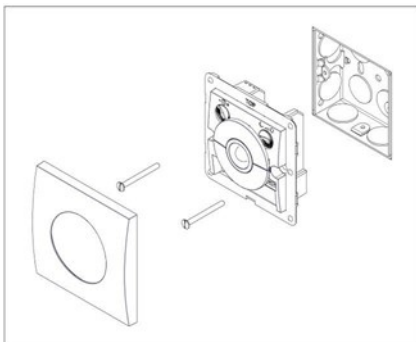


Compatible with all BS4662 dimensions back boxes.

Remove top and bottom lugs if fitted.

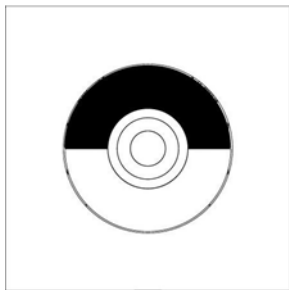
Use the extender if there is less than 25mm free space.

REMEMBER—put the wires through the extender before connecting

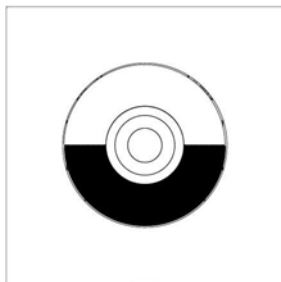




operation



Short press—lights on
 Long press—lights dim up

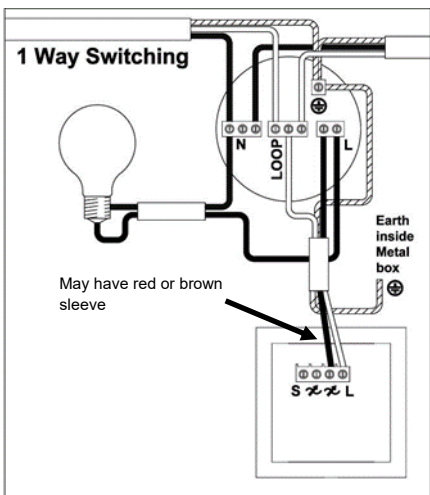


When lights on
 Short press—lights off
 Long press—lights dim down

When lights off
 Long press—change brightness of green-i locator



Wiring-1 way switching



If the lights are controlled from one location only, wire as in the diagram.

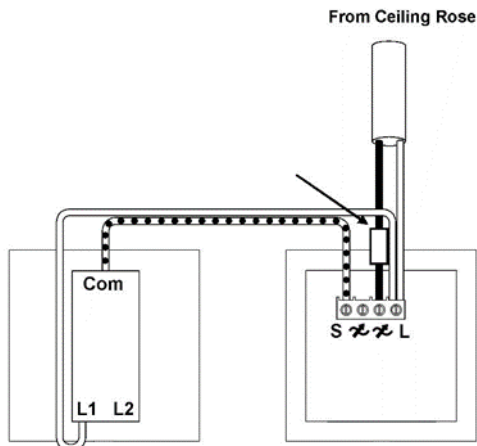
- Neutral Black or Blue
- Live Red or Brown
- Earth Yellow Green
- Strapper Yellow or Grey



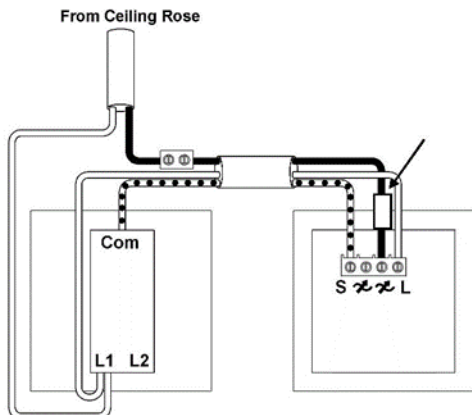
Wiring-2 way switching

Where lighting is switched from more than one location, this unit can be used with another single gang light switch. N.B. do not use with another dimmer switch. Depending on the installation, wire using one of the diagrams below.

2 Way Switching—A



2 Way Switching—B



Compatible lamps



Mains tungsten GLS filament or halogen lamp

Min 60W, Max 300W



Low voltage halogen with transformer

Min 60W, Max 300W

Transformer must be suitable for leading edge dimming

Incompatible lamps



Linear fluorescent



Standard compact fluorescent (CFL) or low energy lamps or CFL dimmable lamps



2D fluorescent

This product requires a minimum load of 60W. Therefore it may not be suitable for use with low power lighting such as LED. If you wish to use less than the minimum load specified, please see below:

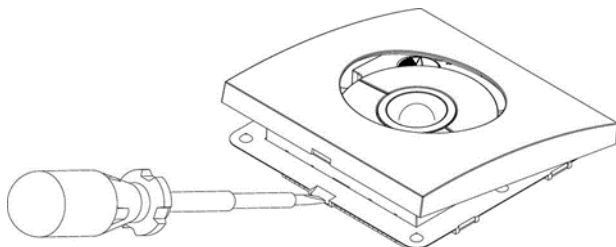
Most modern light fittings have capacitors fitted within the driver. If they are not present (or of sufficient value) the unit may fail to turn off properly or flicker. In this case fit one class-x capacitor per circuit with a minimum value of $1\mu\text{F}$ for every unit installed. The capacitor should be fitted across switched live and neutral. Note that it is not necessary to fit a capacitor on every fitting.

For fluorescent lighting total power factor correction capacitance must not exceed $40\mu\text{F}$.



setup

Remove front cover



Security mode activated. 4 hours time selected (see remote handset for details).



Security mode deactivated (can be overridden by remote handset).

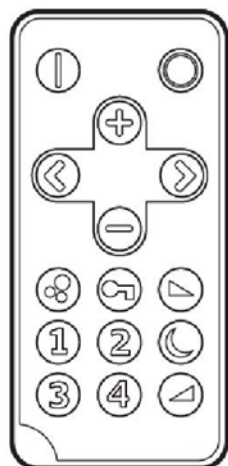


Master reset. Flick switch on then off within 2 seconds to restore factory default settings





Remote control



turn lights on



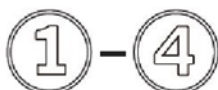
turn lights off



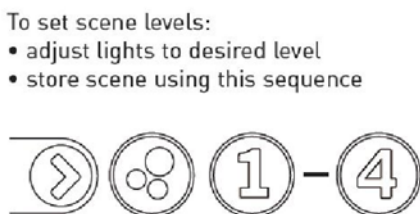
dim up



dim down



set lights to preset scene number



To set scene levels:

- adjust lights to desired level
- store scene using this sequence

set scene scene number



Soft on – how quickly the lights turn on

- 1 Immediate
- 2 2 sec
- 3 7 sec
- 4 depends on measured light level. If it is very dark, the lights will dim the lights up slowly for maximum user comfort.



Soft off – how quickly the lights turn off

- 1 Immediate
- 2 2 sec
- 3 7 sec
- 4 10 sec



Night light – off level, useful for children's bedrooms. Level can be overridden using down button.

- 1 Off
- 2 10%
- 3 20%
- 4 30%



Security mode – lights turn on when dark for period of time below

- 1 Off
- 2 2 hours
- 3 4 hours
- 4 6 hours

Battery change
Use only Lithium coin cell CR2025.



button not used



Special features

Overload protection

An internal temperature sensor on the device ensures that if the unit is overloaded or the ambient temperature rating is exceeded then no permanent damage is caused to the unit. When an excessive temperature is measured, the output will dim down until the correct temperature is restored. The green-i locator will flash to warn that this is happening.

Adaptive dimming control

To enable the correct dimming level to be selected easily by the user, the off button is disabled for a short period of time during adjustments, enabling it to be used just for down control.

Security mode

If your house is vacant and you want the lights to give the impression that someone is in, use the security mode. Shortly after it gets dark outside (15 minutes) the lights will turn on, and then turn off after a preset period of time. The dimming level for security mode will be the last level used or 50% whichever is greater.

Soft on

To prevent the discomfort of bright lights turning on when you wake up, this mode senses the daylight level and if it is very dark will dim the lights up slowly for maximum user comfort.



troubleshooting

The unit gets warm when on

- It is completely normal for the front of the unit to feel slightly warm.

The lights won't dim up or down or flicker

- Are they compatible—see the guide on the first page?
- Is the total wattage higher than the minimum load?
- Ensure that when using low voltage lighting the transformer is dimmable
- This product requires a minimum load of 60W

The green-i locator is off or dim

- This is only on when the lights are off
- The brightness of the locator can be changed by pushing and holding the down button when the lights are off



ratings

| | |
|-------------|----------------------------------|
| Voltage | 230VAC +/- 10% |
| Frequency | 50Hz |
| Temperature | 0°C to 35°C |
| Power | see ratings on front page |
| Compliance | EMC-2014/30/EU LVD-2014/35/EU |



For further compliance information visit:

www.cpelectronics.co.uk/compliance

EU registered design no. 000638069-0003, 000638069-0004

IMPORTANT NOTICE!

This device should be installed by a qualified electrician in accordance with the latest edition of the IEE wiring regulations.



C.P. Electronics Ltd

Brent Crescent

London

NW10 7XR

United Kingdom

Tel: + 44 (0) 333 900 0671

Fax: + 44 (0) 333 900 0674

www.green-iswitches.co.uk

enquiry@green-iswitches.co.uk

